

# WS MULTI PROCESSOR

WS Series Multi Processors are the most versatile tools for demolition & recycling operations.

**Interchangeable Jaws** deliver outstanding productivity in variety of applications.

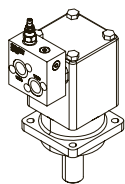
Four Jaw types available including **Crusher, Pulverizer, Shear, Plate Cutter** jaws.

**Twin large bore cylinder design** will maintain its strength through the complete stroke.

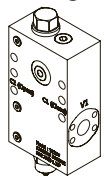
Unlike bulky second member shear, **WS with Shear Jaw** provides high maneuverability and production in scrap yard.

Single Pin dual cylinder design provides

- Optimized shearing/ cutting angle and continuous force through the cycle.
- Zero slip between two jaws.
- Symmetric design and independent cylinders movement minimize the stress to the carrier.



360° hydraulic rotation motor equipment with dual relief valve



Speed valve reduces cycle time, and its oversized design eliminates over flow issues.

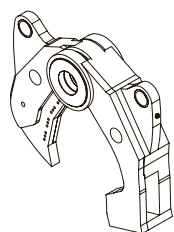
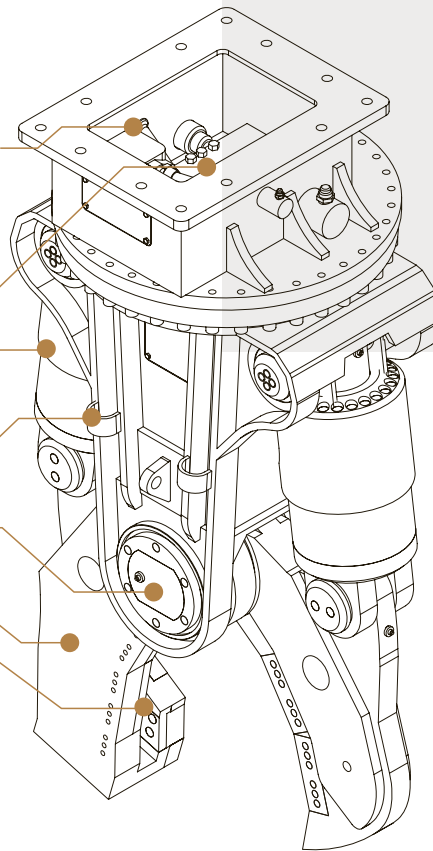
Heavy duty Cylinder guard

Hose Storage

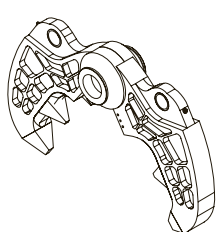
Oversized hardened pin and bronze bushing design

Abrasion-resistant steel

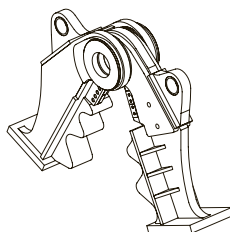
Replaceable four way turnable blades



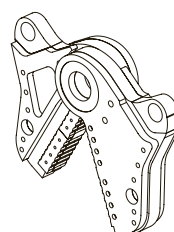
[ SHEAR JAW ]



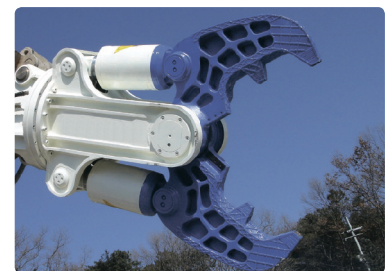
[ CRUSHER JAW ]



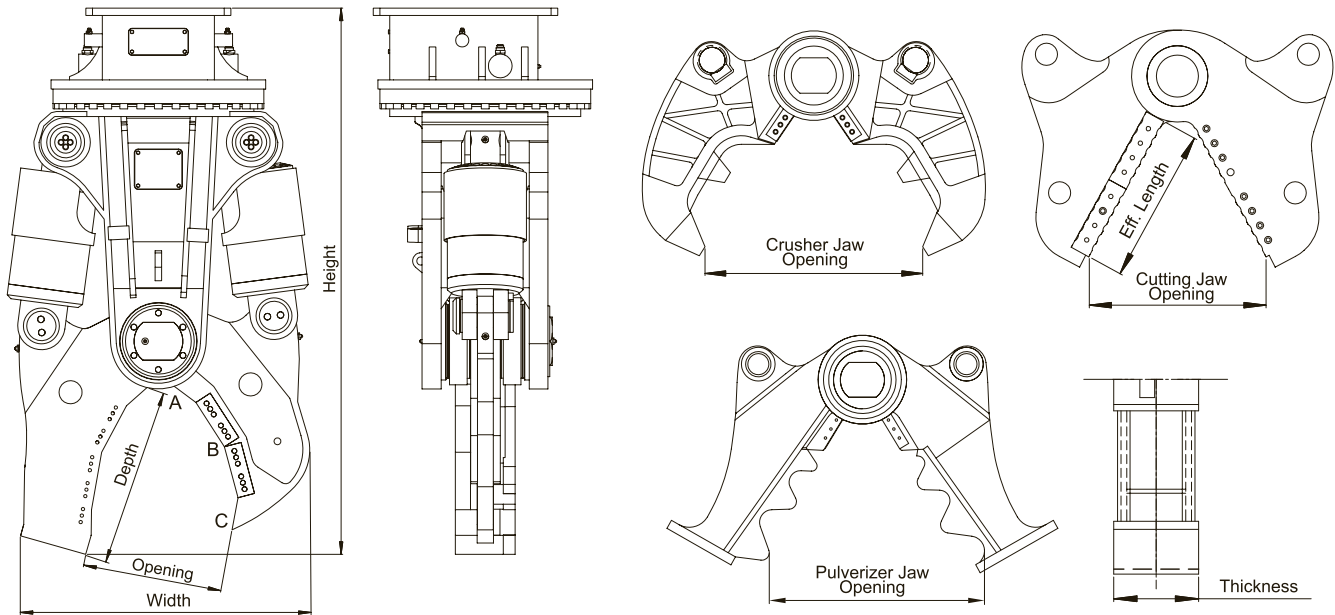
[ PULVERIZER JAW ]



[ PLATE CUTTER JAW ]



# WS MULTI PROCESSOR



Model		Unit	WS500RV	WS600RV	Unit	WS500RV	WS600RV
Carrier Weight		MT	18-25	25-35	MT	18-25	25-35
Weight c/w Shear Jaw		kg	2,200	3,100	lb	4,840	6,820
Shear Jaw	Weight	kg	575	936	inch	1,270	2,060
	Opening	mm	490	530		19	21
	Depth	mm	585	680		23	27
Cutter Jaw	Weight	kg	980	1,200	lb	2,160	2,640
	Opening	mm	710	760	inch	28	30
	Eff. Length	mm	625	690		25	27
Crusher Jaw	Weight	kg	680	740	lb	1,500	1,630
	Opening	mm	950	1,050	inch	37	41
	Blade Length	mm	150	170		6	7
Pulverizer Jaw	Weight	kg	680	880	lb	1,500	1,940
	Opening	mm	850	950	inch	33	37
	Thickness	mm	270	290		11	11
	Blade Length	mm	150	170		6	7
Crushing Force	[A] Throat	Metric ton	450	590		lb (X1000)	992
	[B] Middle		290	366	639		806
	Piercing Force [C, Tip]		160	211	352		464
Rated Pressure		bar	320		psi	4,600	
Rated Oil Flow		lpm	230	260	gpm	61	69
DIM with Crusher jaw	Height ***	mm	2,070	2,390	inch	81	94
	Width		1,150	1,350		45	53
Hyd. Rotation	Pressure	bar	210		psi	3,000	
	Oil Flow	lpm	32-45		gpm	8-12	
	Speed	RPM	10-15		RPM	10-15	
Cycle time ****	Open	sec	2.8	3.5	sec	2.8	3.5
	Close		2.6	4.2		2.6	4.2

Specifications subject to change without notice.

Continuous 360degree hydraulic rotation is standard.

\* Height : Flat Top Mounting

\*\* Cycle time measured at rated flow under no load.

Contact us to check availability of models outside of these ranges